



AV Series Dynamic Mounting Arm

Tilt and swivel · Single arm · Double arm

- **Intuitive grab and move operation enhances the user experience**

No knobs or tools required to reposition the monitor

Precise control of operating effort ensures ideal “feel” and eliminates “drift”

Holds securely, even in applications with dynamic loading

- **Consistent repeatable operation**

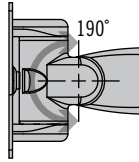
- **Fully enclosed for optimum cleanability**

- **Snap-on wire management cover**

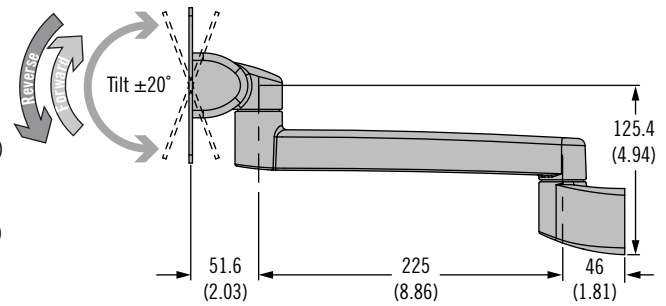
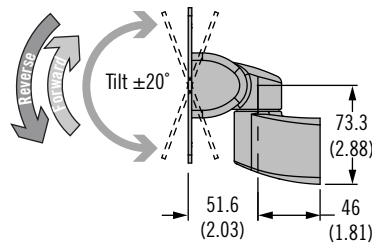
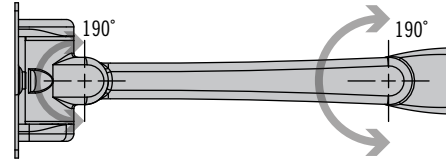
- **Factory assembled and ready for use**

For mounting options and installation detail please refer to pages 84-85

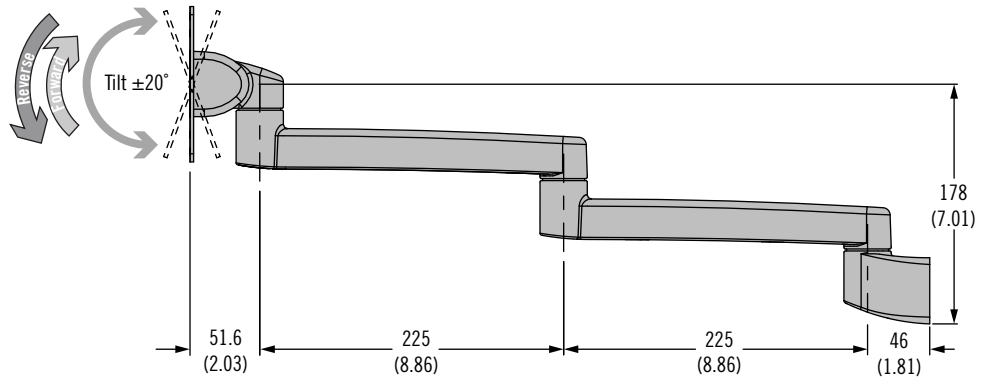
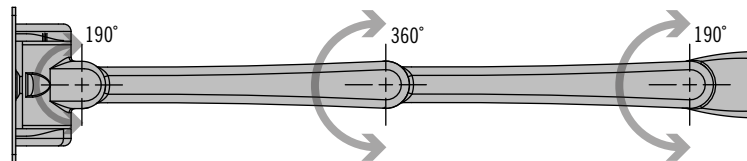
Tilt and Swivel



Single Arm



Double Arm



AV Series Dynamic Mounting Arm

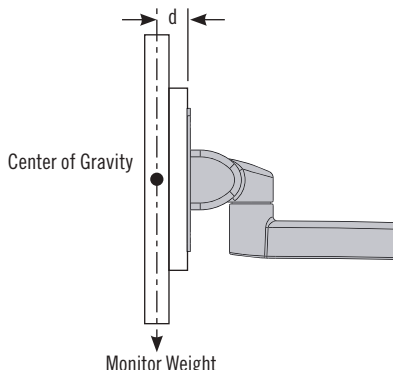
Tilt and swivel · Single arm · Double arm



Specification and Selection

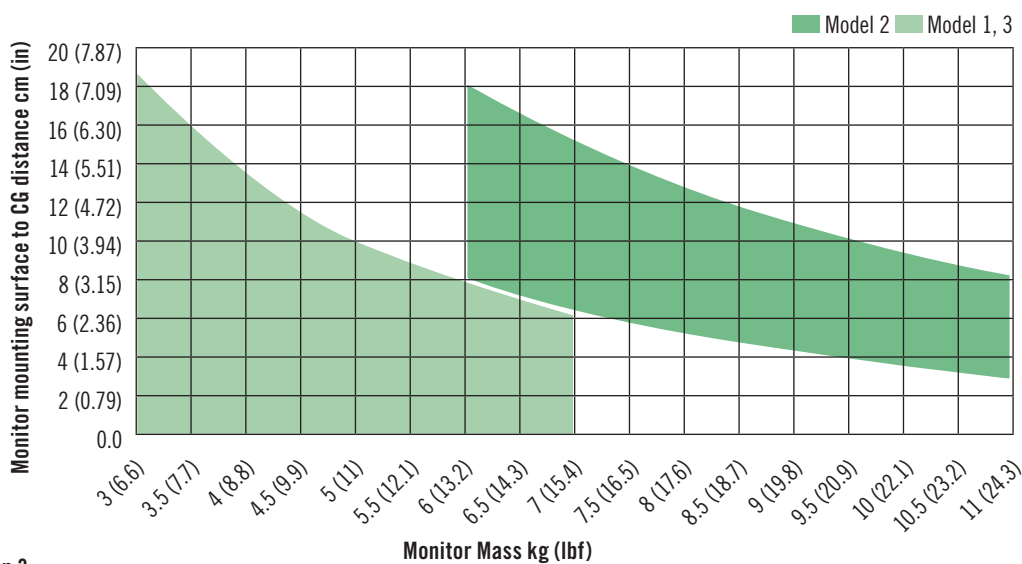
Step 1

Determine monitor weight and distance (d) from mounting surface to center of gravity.



Step 2

Use chart below to select model (1, 2 or 3).



Step 3

Complete part number by selecting length and color options below.

L	Length & Function
10K	Tilt / swivel
23A	225mm Single arm
46D	450mm Double arm

K	Mounting style
0	Wall mount, Rear, no wire notch
1	Wall mount, Rear, with wire notch
2	Table mount, no wire notch
3	Table mount, with wire notch
4	Wall mount, Front
6	Pole mount (35-38mm Pole)
7	Rail mount

S	Monitor Size
1	Small monitor, easiest positioning
3	Small monitor, extra holding force
2	Medium monitor

F	Finish
50	Black
76	White

AV - D32 - L 1 K S - F

Style	Model	Tilt Torque N·m (in·lbf)		Swivel Torque N·m (in·lbf)		
		Reverse	Forward	At Monitor Mount	At Wall Mount	Center Joint
Tilt and swivel	1	7.9 (70)	1.13 (10)	4.3 (38)	N/A	N/A
	2	15.4 (136)	2.26 (20)	4.3 (38)	N/A	N/A
	3	8.6 (76)	6.0 (53)	4.3 (38)	N/A	N/A
Single arm	1	7.9 (70)	1.13 (10)	4.3 (38)	9.8 (87)	N/A
	2	15.4 (136)	2.26 (20)	4.3 (38)	9.8 (87)	N/A
	3	8.6 (76)	6.0 (53)	4.3 (38)	9.8 (87)	N/A
Double arm	1	7.9 (70)	1.13 (10)	4.3 (38)	9.8 (87)	9.8 (87)
	2	15.4 (136)	2.26 (20)	4.3 (38)	9.8 (87)	9.8 (87)
	3	8.6 (76)	6.0 (53)	4.3 (38)	9.8 (87)	9.8 (87)

Material and Finish

Aluminum alloy, powder coated

Performance Details

Cycle performance: 20,000 cycles. See trade drawing for details.

Note: Double Arm not recommended for monitors over 5.4 kg (12 lb)

Max. dynamic working load:

Model 1, 3: 70N (15.7lbf)

Model 2: 100N (22.5lbf)

Average ultimate load:

Tilt/Swivel: 1845N (415lbf)

Single Arm: 1600N (360lbf)

Double Arm: 755N (170lbf)

For mounting options and installation detail please refer to pages 84-85



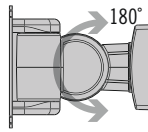
AV Series Dynamic Mounting Arm

Tilt and swivel · Single arm · Double arm · Heavy Duty

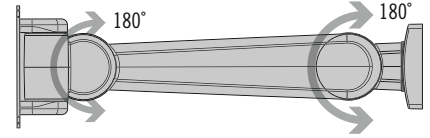
- **Intuitive grab and move operation enhances the user experience**
No knobs or tools required to reposition the monitor
Precise control of operating effort ensures ideal “feel” and eliminates “drift”
Holds securely, even in applications with dynamic loading
- **Consistent repeatable operation**
- **Fully enclosed for optimum cleanability**
- **Snap-on wire management cover**
- **Factory assembled and ready for use**

For mounting options and installation detail please refer to pages 84-85

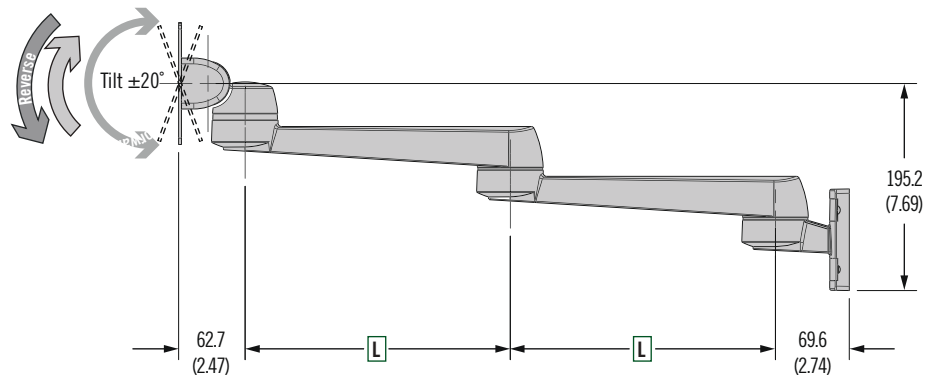
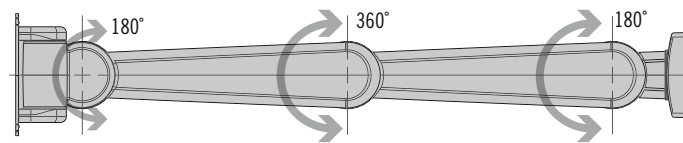
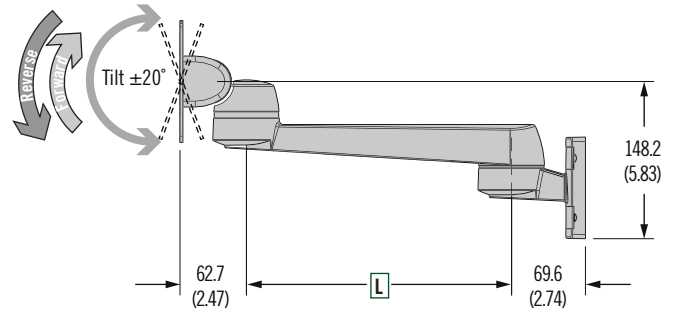
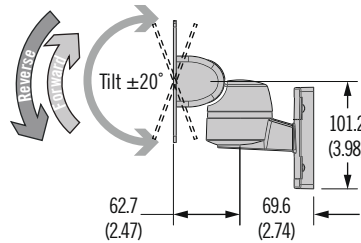
Tilt and Swivel



Single Arm



Double Arm



AV Series Dynamic Mounting Arm

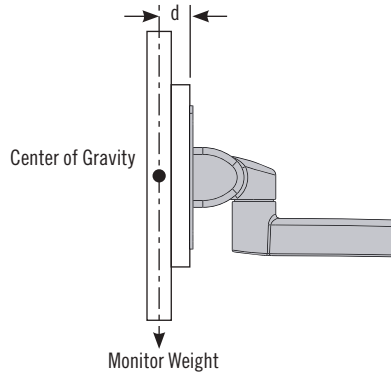
Tilt and swivel · Single arm · Double arm · Heavy Duty



Specification and Selection

Step 1

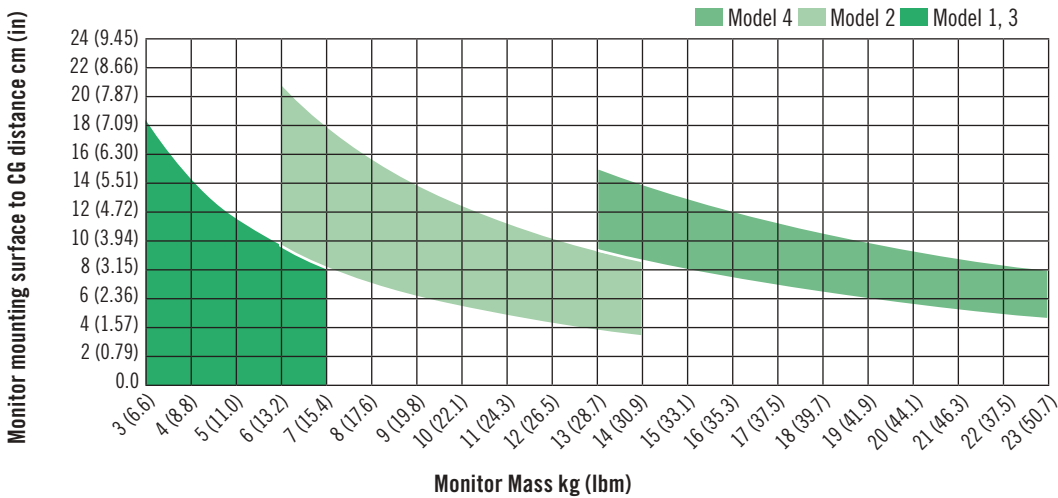
Determine monitor weight and distance (d) from mounting surface to center of gravity.



Step 2

Use chart below to select model (1, 2, 3 or 4).

Note: Double Arm not recommended for monitors over 18 kg (39 lb)



Step 3

Complete part number by selecting length and color options below.

L	Length & Function
13K	Tilt / swivel
25A	250mm Single arm
33A	325mm Single arm
50D	500mm Double arm
65D	650mm Double arm

K	Mounting style
4	Wall mount, Front
6	Pole mount (35-38mm Pole)
7	Rail mount

Style	Model	Tilt Torque N-m (in-lbf)		Swivel Torque N-m (in-lbf)		
		Reverse	Forward	At Monitor Mount	At Wall Mount	Center Joint
Tilt and swivel	1	7.9 (70)	1.3 (10)	3 (27)	N/A	N/A
	2	15.4 (136)	2.26 (20)	3 (27)	N/A	N/A
	3	8.6 (76)	6.0 (53)	3 (27)	N/A	N/A
	4	23.1 (204)	7 (62)	3 (27)	N/A	N/A
Single arm	1	7.9 (70)	1.3 (10)	3 (27)	6 (53)	N/A
	2	15.4 (136)	2.26 (20)	3 (27)	6 (53)	N/A
	3	8.6 (76)	6.0 (53)	3 (27)	6 (53)	N/A
	4	23.1 (204)	7 (62)	3 (27)	6 (53)	N/A
Double arm	1	7.9 (70)	1.3 (10)	3 (27)	6 (53)	3 (27)
	2	15.4 (136)	2.26 (20)	3 (27)	6 (53)	3 (27)
	3	8.6 (76)	6.0 (53)	3 (27)	6 (53)	3 (27)
	4	23.1 (204)	7 (62)	3 (27)	6 (53)	3 (27)

AV - D40 - L 1 K S - F

S	Monitor size
1	Small monitor, easiest positioning
3	Small monitor, extra holding force
2	Medium monitor
4	Large monitor

F	Finish
50	Black
76	White



Material and Finish

Aluminum alloy, powder coated

Performance Details

Cycle performance: 20,000 cycles.
See trade drawing for details.

Note: Double Arm not recommended for monitors over 18 kg (39 lb)

Max. dynamic working load:

Model 1, 3: 70 N (15.7 lbf)

Model 2: 100 N (22.5 lbf)

Model 4: 225 N (50.5 lbf)

Average ultimate load:

Tilt/Swivel: 2300 N (517 lbf)

Single Arm: 1600 N (360 lbf)

Double Arm: 1050 N (236 lbf)

Part Number Example

AV-D40-25A142-50 = Single arm, 250mm, Model 2, black



AV Series Dynamic Mounting Arm

Tilt and swivel · Single arm · Non-locking · Locking

- **Intuitive grab and move operation enhances the user experience**

No knobs or tools required to reposition the monitor

Precise control of operating effort ensures ideal “feel” and eliminates “drift”

Holds securely, even in applications with dynamic loading

- **Locking mechanism in stowed position**

- **Low profile in the stowed position**

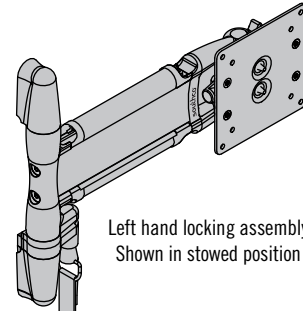
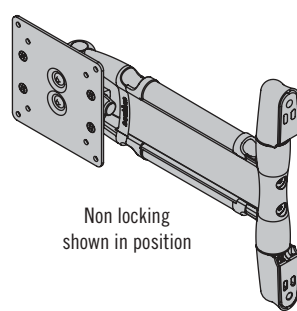
Folds to within 50 mm of the wall

- **Snap-open channels simplify wire management**

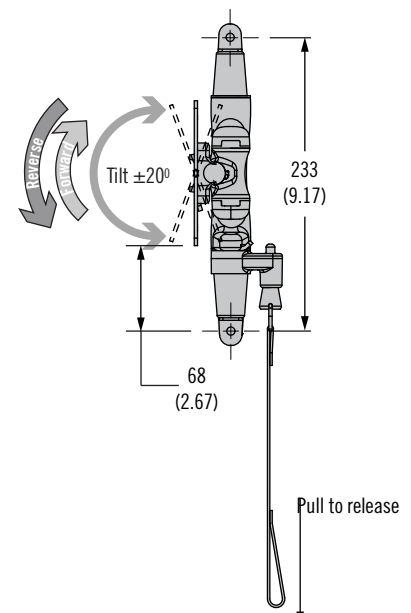
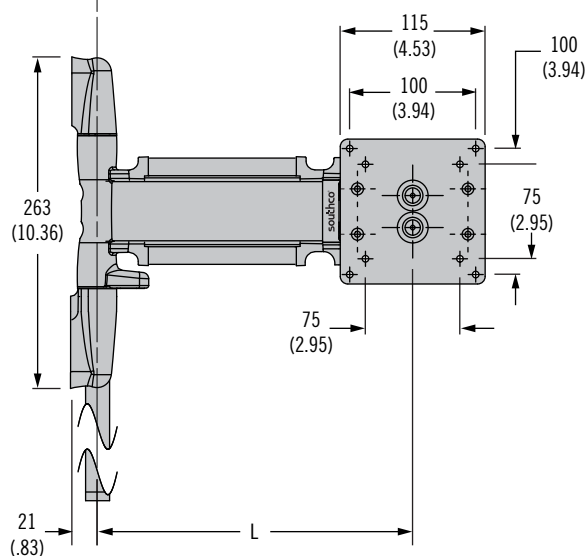
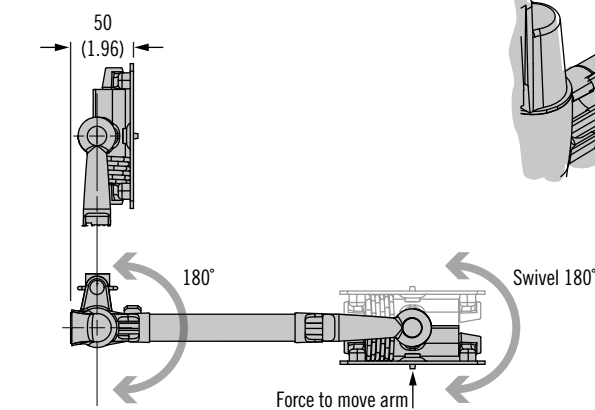
Easy monitor installation and replacement

- **Factory assembled and ready for use**

Product Detail



Wire channel in open position.



AV Series Dynamic Mounting Arm

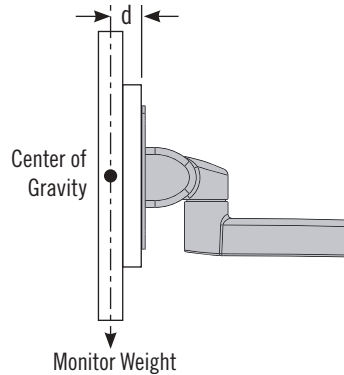
Tilt and swivel · Single arm · Non-locking · Locking



Specification and Selection

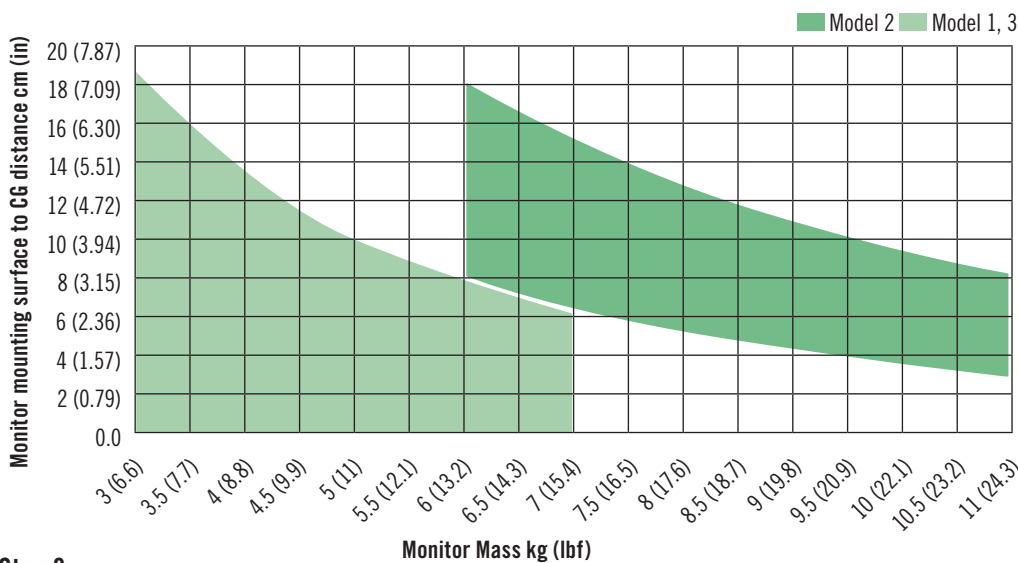
Step 1

Determine monitor weight and distance (d) from mounting surface to center of gravity.



Step 2

Use chart below to select model (1, 2 or 3).



Step 3

Complete part number by selecting length and color options below.

AV - D30 - **K** A **L** 10 **S** - **F**

K	Length (L)	Average ultimate load N (lbf)
15	150 (5.9)	2000 (450)
25	250 (9.8)	1200 (270)
35	350 (13.8)	850 (190)
45	450 (17.7)	660 (150)

F	Color
50	Black
76	White

L	Rotational Lock
C	Left hand locking
R	Right hand locking
Omit	Non locking

Model S	Force to move arm N (lbf)	Tilt Torque N·m (in lbf)		Swivel Torque N·m (in lbf)
		Reverse	Forward	
1	22.2 (5)	7.9 (70)	1.13 (10)	2.3 (20)
2	33.8 (7.6)	15.4 (136)	2.26 (20)	3.4 (30)
3	33.8 (7.6)	8.6 (76)	6.0 (53)	3.4 (30)

- Smooth operation enhances the user experience
- Adjust the monitor without knobs or tools
- Holds securely in every position

Material and Finish

Aluminum alloy, powder coated

Performance Details

Cycle performance: 20,000 cycles within ± 20% of static torque specification

Max. dynamic working load:

Model 1, 3: 66 N (15 lbf)

Model 2: 98 N (22 lbf)

Average ultimate load: See table

Part Number

See table

Part Number Example

AV-D30-25AC101-50 = Dynamic mounting arm, Model 1, 250 mm Length, black, locking

Southco Performance and Application Guidelines are supplied as general guides only, as conditions vary with each application and installation method. Represented cycle performance is not a guarantee of reliability under actual usage conditions in end user product applications. Users must test potential product solutions under the actual application conditions and environment to determine suitability of the product for the purpose and function intended by the user and to assure desired performance.



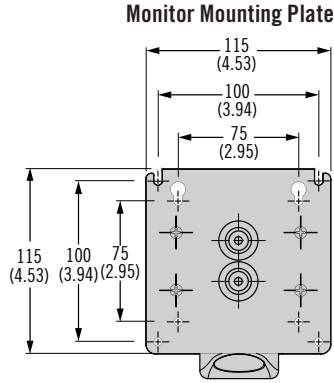
AV Series Dynamic Mounting Arm

Tilt and swivel · Single arm · Double arm · Mounting details

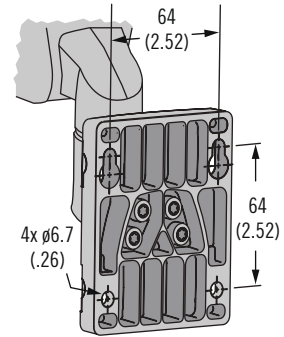
• Mounting details



Mounting Options



Wall mount front fastened K=4



Wall Mount, Rear Fastened K=0

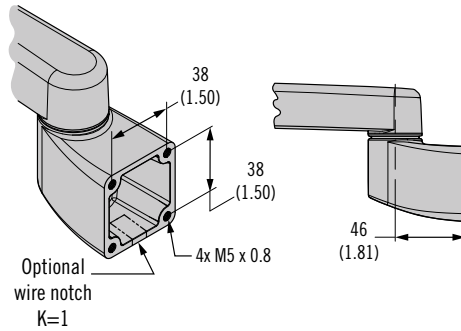
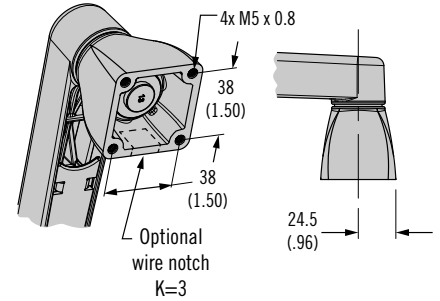
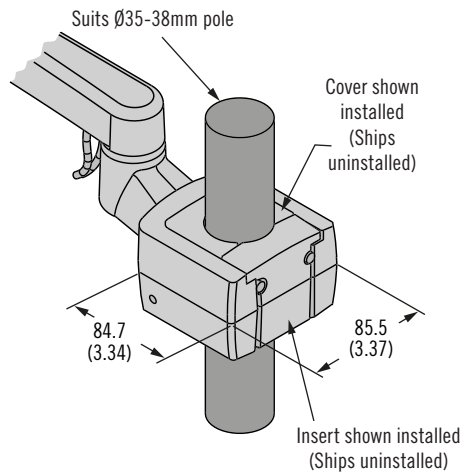


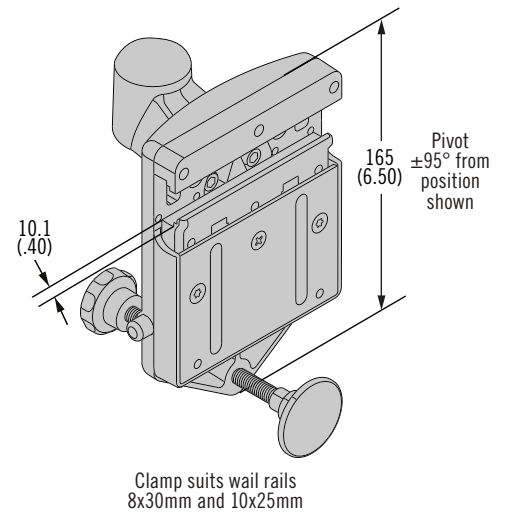
Table Mount K=2



Pole Mount K=6



Rail Mount K=7

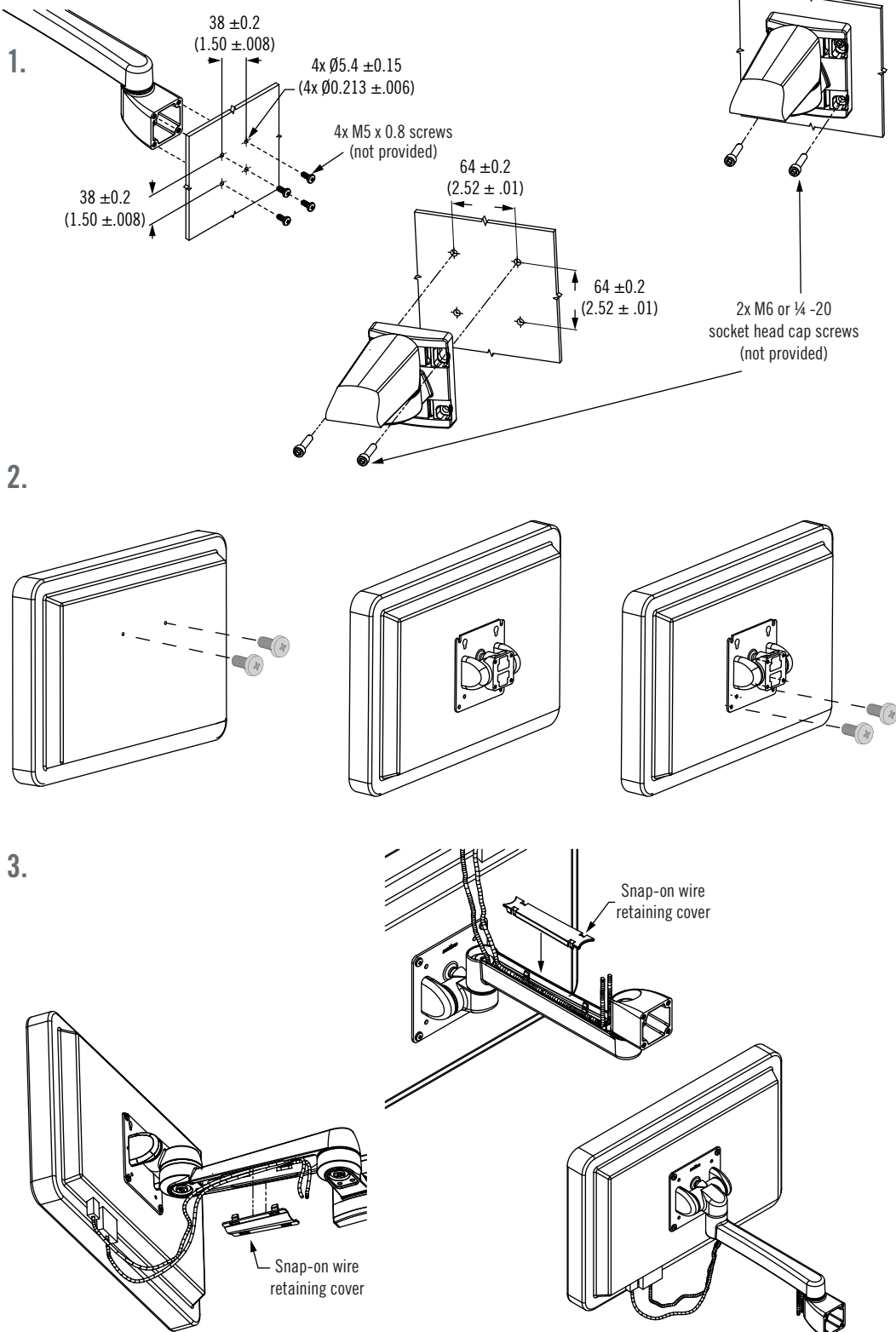


AV Series Dynamic Mounting Arm

Tilt and swivel · Single arm · Double arm · Installation details



Installation



• Mounting details





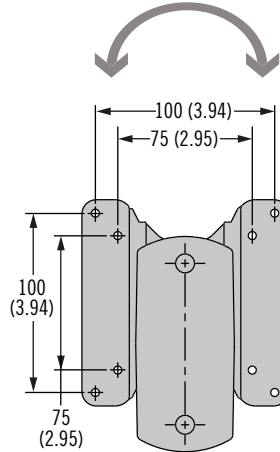
AV Series Adjustable Monitor Mounting Arm

Tilt and swivel · Single arm · Double arm

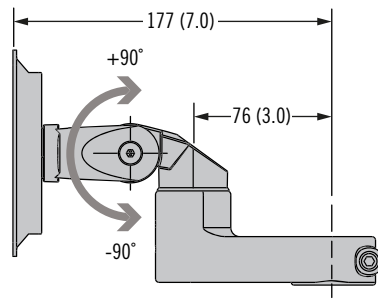
- **Adjustable joints for flexible operation**
- **Some assembly required for initial installation**
Installation hardware and adjustment tools supplied
- **Rotate monitor for portrait or landscape orientation**
- **Clamps to desk or table**

Compatible with VESA mounting standards

Monitor Plate 360° from position shown

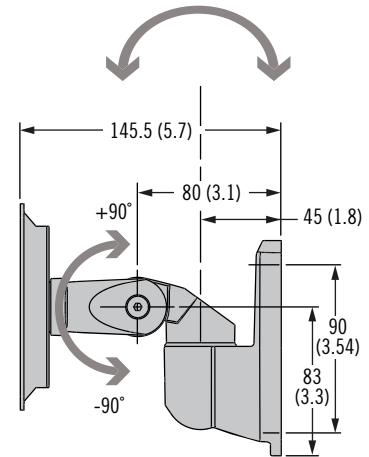


Tilt and swivel



Pole Mount **K** = 6
(Fits 30mm Pole)

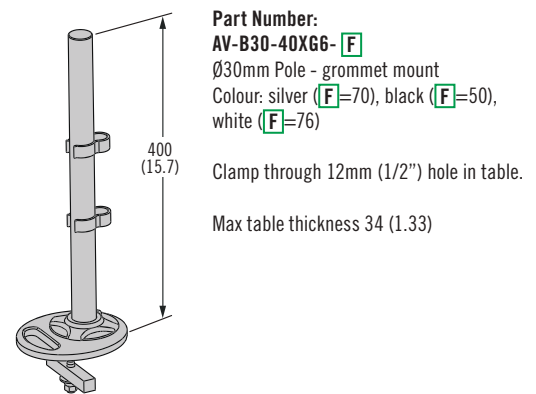
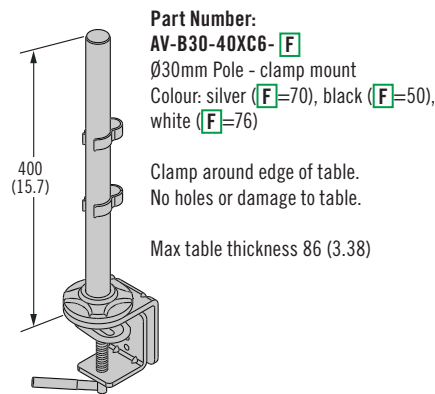
All rotating swivel joints rotate 360° and can be adjusted using supplied Allen key



Wall Mount **K** = 4

Pole Mount Accessories (Fits all AV-B30 **K** = 6 variants)

Note: this pole accessory is not compatible with AV-D series mounts

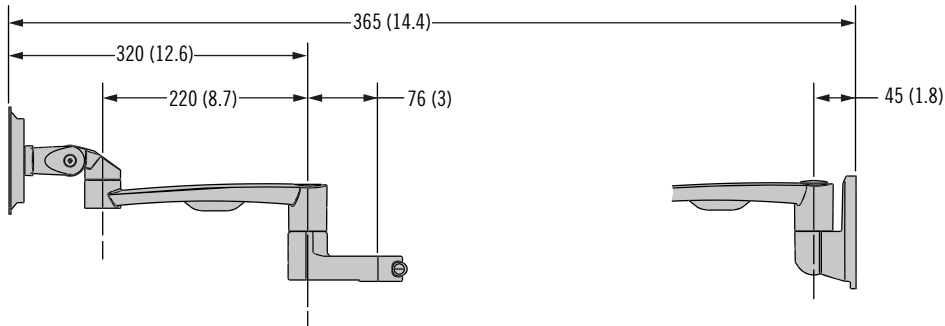


AV Series Adjustable Monitor Mounting Arm

Tilt and swivel · Single arm · Double arm



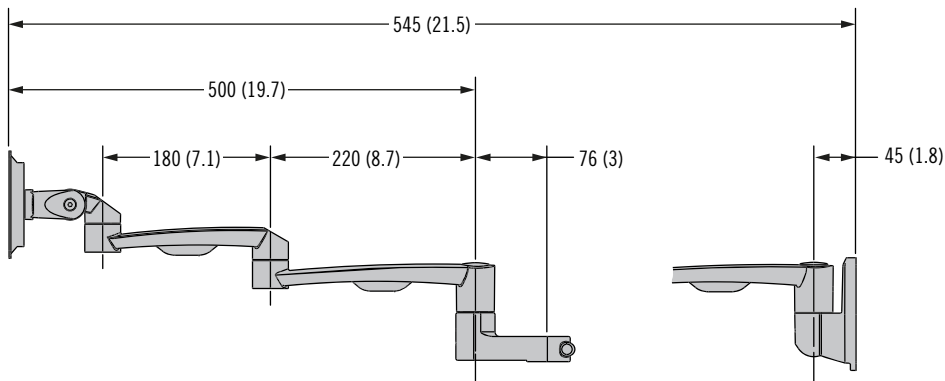
Single arm



Pole Mount **K** = 6
(Fits 30mm Pole)

Wall Mount **K** = 4

Double arm



Pole Mount **K** = 6
(Fits 30mm Pole)

Wall Mount **K** = 4

Complete part number by selecting model and color options below.

L	Length & Function
10K	Tilt / swivel
23A	220mm Single arm
41D	400mm Double arm

K	Mounting Style
4	Wall (front) mount
6	Pole mount (Ø30mm Pole)

AV - B30 - **L** 2 **K** 3 - **F**

F	Color
50	Black
70	Silver
76	White

- Wall or pole mount options
- Built-in cable management

Material and Finish

Aluminum alloy, powder coated

Max monitor weight

Tilt/swivel: 14 kg (31 lbf)

Single arm: 14 kg (31 lbf)

Double arm: 10 kg (22 lbf)

Average ultimate load

Tilt/swivel: 920N (206lbf)

Single arm: 920N (206lbf)

Double arm: 450N (101lbf)

Pole (Clamp mount): 1100N (247lbf)

Pole (Grommet mount): 1400N (314lbf)

Part Number

See table

Part Number Example

AV-B30-41D263-70 = 400mm

Double Arm for Ø30mm Pole mount



AV Series Dynamic Mount

Tilt

- Intuitive grab and move operation enhances the user experience**

No knobs or tools required to reposition the monitor
 Robust positioning in compact package
 Holds securely, even in applications with dynamic loading

- Consistent repeatable operation**

- Fully enclosed for optimum cleanability**

Installation

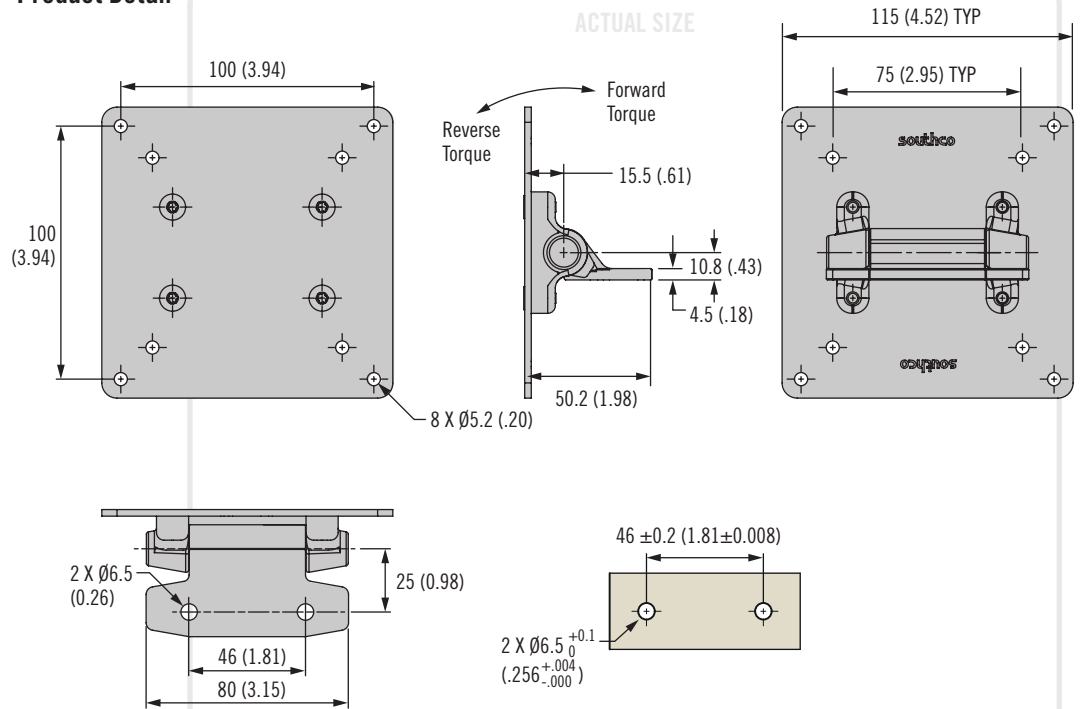
1. Determine desired mounting location
2. Attach using M6 screws as shown

Caution: Because of the wide variety of available materials, it is the installer's responsibility to ensure that the materials and structure to which the tilt mount is fastened will provide adequate support.

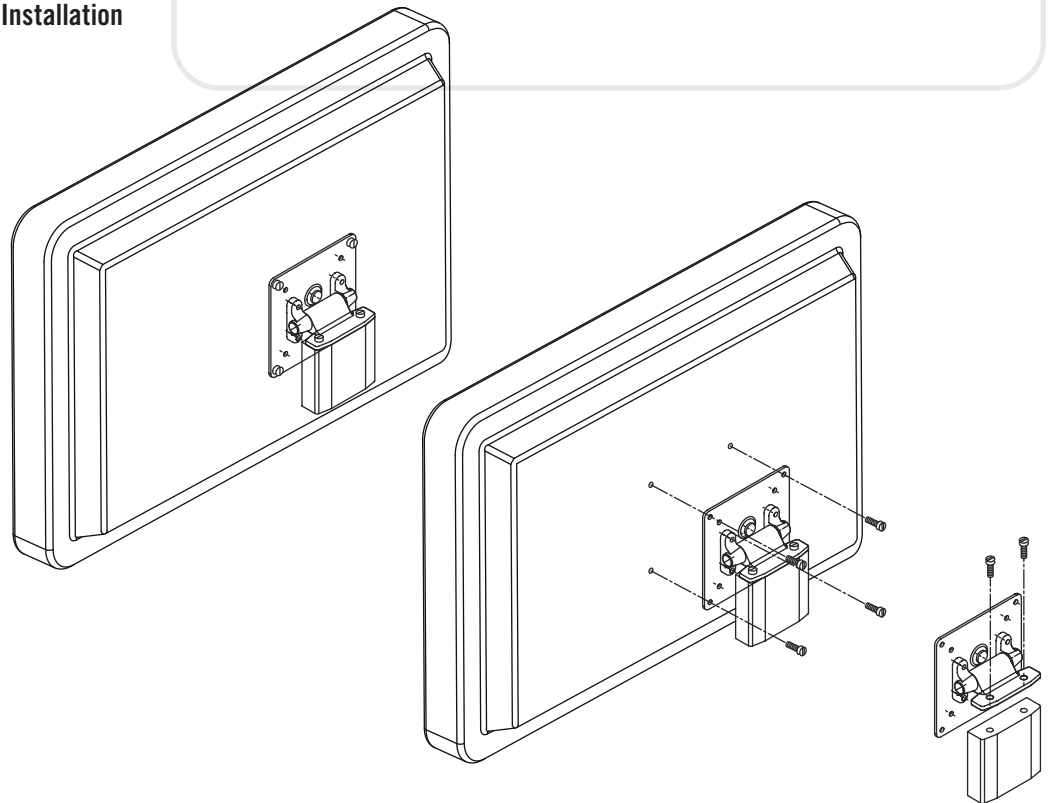
3. Attach monitor using manufacturer's recommended hardware

Compatible with VESA mounting standards

Product Detail

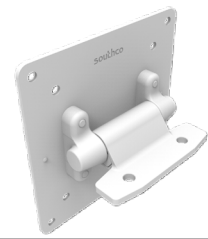


Installation



AV Series Dynamic Mount

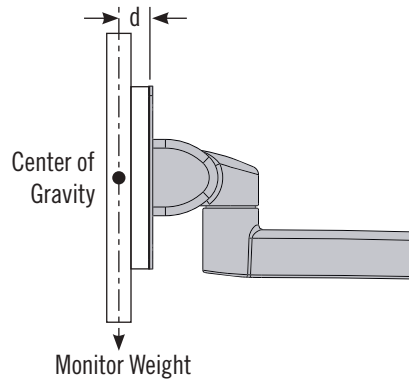
Tilt



Specification and Selection

Step 1

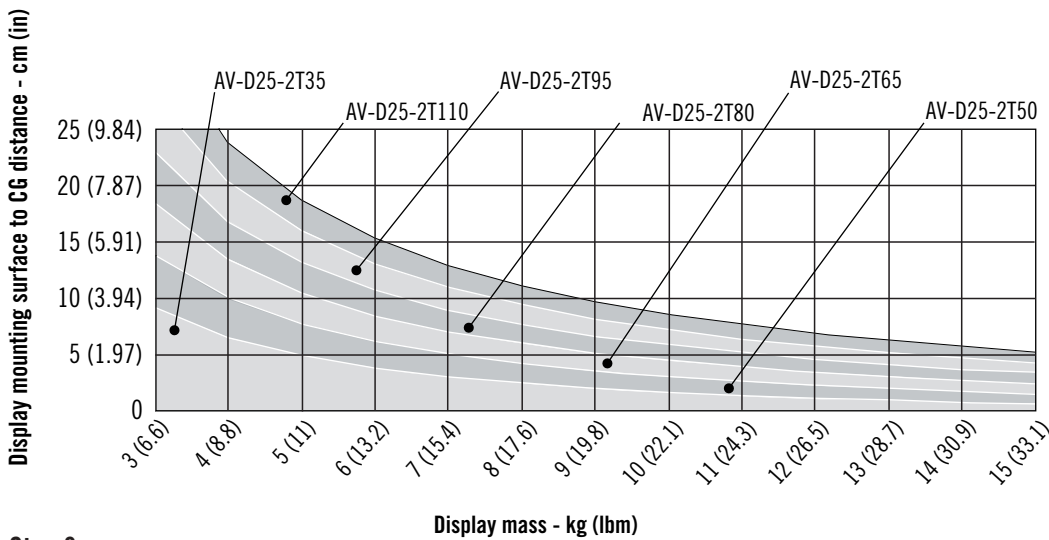
Determine monitor weight and distance (d) from mounting surface to center of gravity.



Step 2

Use chart below to select part number.

AV-D25 T-Series Model Selection Guide



Step 3

Complete part number by selecting model and color options below.

VESA Plate?	V
Yes	(blank)
No	0

Torque version	Forward Torque N-m (in-lb)	Reverse Torque N-m (in-lb)
35F	3.9 (35.0)	3.0 (26.7)
50F	5.7 (50.0)	4.0 (35.7)
65F	7.3 (65.0)	5.4 (47.5)
80F	9.0 (80.0)	6.7 (59.4)
95F	10.7 (95.0)	7.8 (68.9)
110F	12.4 (110.0)	9.0 (79.8)
35R	3.0 (26.7)	3.9 (35.0)
50R	4.0 (35.7)	5.7 (50.0)
65R	5.4 (47.5)	7.3 (65.0)
80R	6.7 (59.4)	9.0 (80.0)
95R	7.8 (68.9)	10.7 (95.0)
110R	9.0 (79.8)	12.4 (110.0)

F	Color
50	Black
76	White

AV - D25 - 2T V T - F

- Smooth operation enhances the user experience
- Adjust the monitor without knobs or tools
- Holds securely

Material and Finish

Steel, Aluminum alloy, powder coated

Performance Details

Cycle performance: 20,000 cycles within $\pm 20\%$ of static torque specification

Max. dynamic working load:

100 N (22.5 lb)

Average ultimate load: 1065 N (240 lb)

Part Number

See table



AV Series Dynamic Mount

Tilt

- **Intuitive grab and move operation enhances the user experience**
No knobs or tools required to reposition the monitor
Precise control of operating effort ensures ideal “feel”
Holds securely, even in applications with dynamic loading
- **Consistent repeatable operation**
- **Fully enclosed for optimum cleanability**



Installation

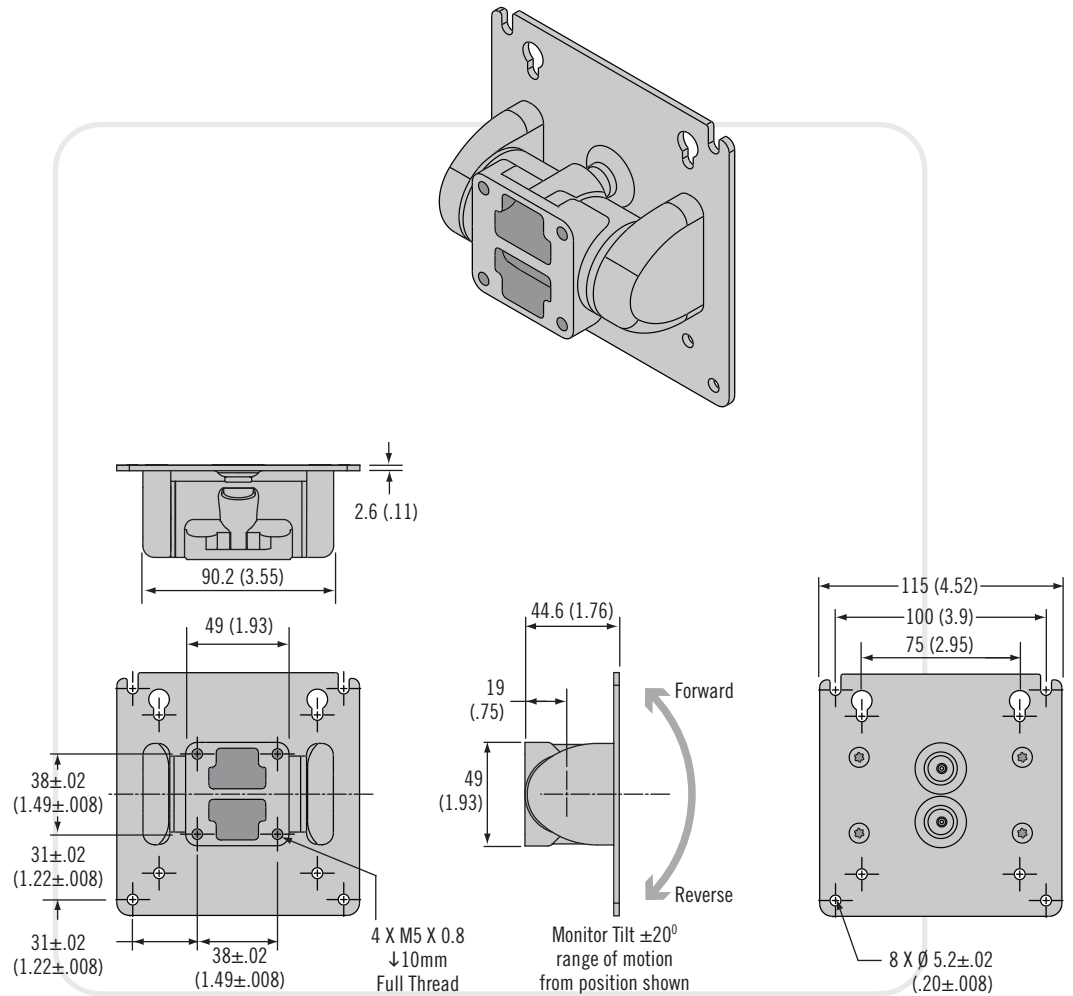
1. Determine desired mounting location
2. Attach using M5 X 0.8 screws as shown

Caution: Because of the wide variety of available wall materials, it is the installer’s responsibility to ensure that the materials and structure to which the tilt mount is fastened will provide adequate support.

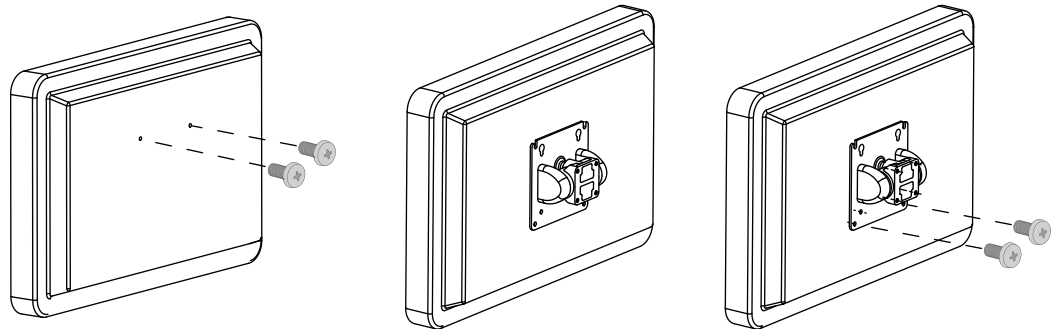
3. Attach monitor using manufacturer’s recommended hardware

Compatible with VESA mounting standards

Product Detail



Installation



Monitor mounting hardware not supplied

AV Series Dynamic Mount

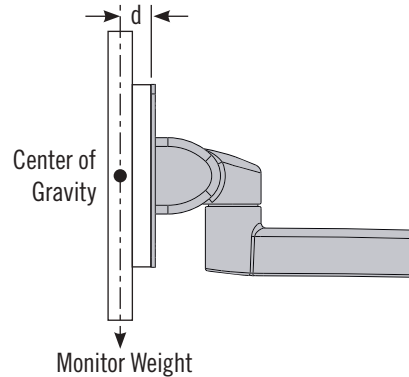
Tilt



Specification and Selection

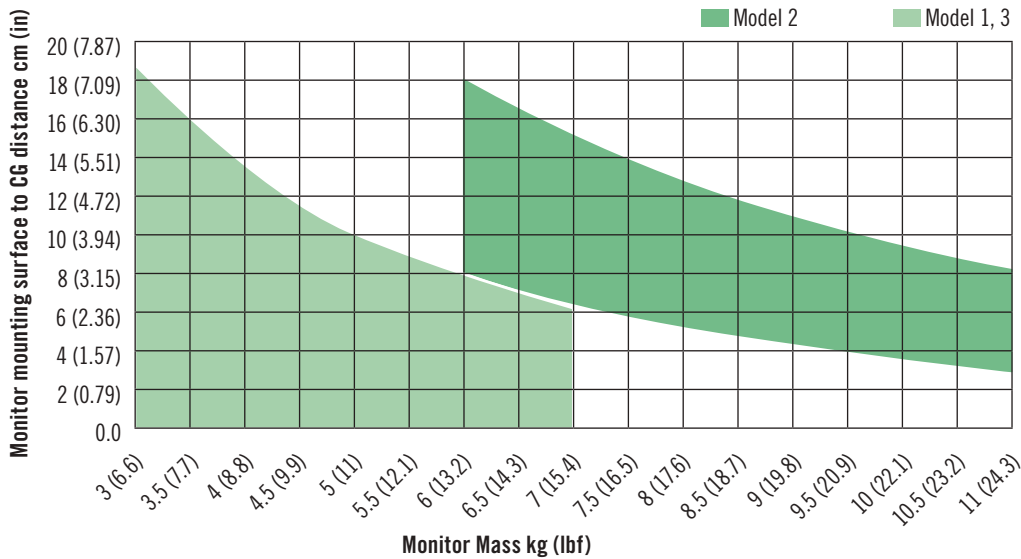
Step 1

Determine monitor weight and distance (d) from mounting surface to center of gravity.



Step 2

Use chart below to select model (1, 2 or 3).



Step 3

Complete part number by selecting model and color options below.

VESA Plate?	V
Yes	(blank)
No	0

Model	S	Monitor size	Tilt Torque N·m (in·lbf)	
			Reverse	Forward
1		Small monitor, easiest positioning	7.9 (70)	2.2 (19.5)
3		Small monitor, extra holding force	8.6 (76)	6 (53)
2		Medium monitor	15.4 (136)	2.26 (20)

F	Color
50	Black
76	White

AV - D30 - 5T V10 S - F

For complete installation and operation instructions please consult the product manual included in every package or available to download from www.southco.com

- Smooth operation enhances the user experience
- Adjust the monitor without knobs or tools
- Holds securely

Material and Finish

Aluminum alloy, powder coated

Performance Details

Cycle performance: 20,000 cycles within $\pm 20\%$ of static torque specification

Maximum dynamic working load:

Model 1 and 3: 70 N (15.7 lbf)

Model 2: 100 N (22.5 lbf)

Average ultimate load: 1845 N (414.8 lbf)

Part Number

See table

Part Number Example

AV-D30-5T101-50 = Dynamic tilt mount, Model 1, black



AV Series Dynamic Mount

Tilt and swivel · Compact

- **Intuitive grab and move operation enhances the user experience**

No knobs or tools required to reposition the monitor
Consistent repeatable operation

- **Factory assembled and ready for use**

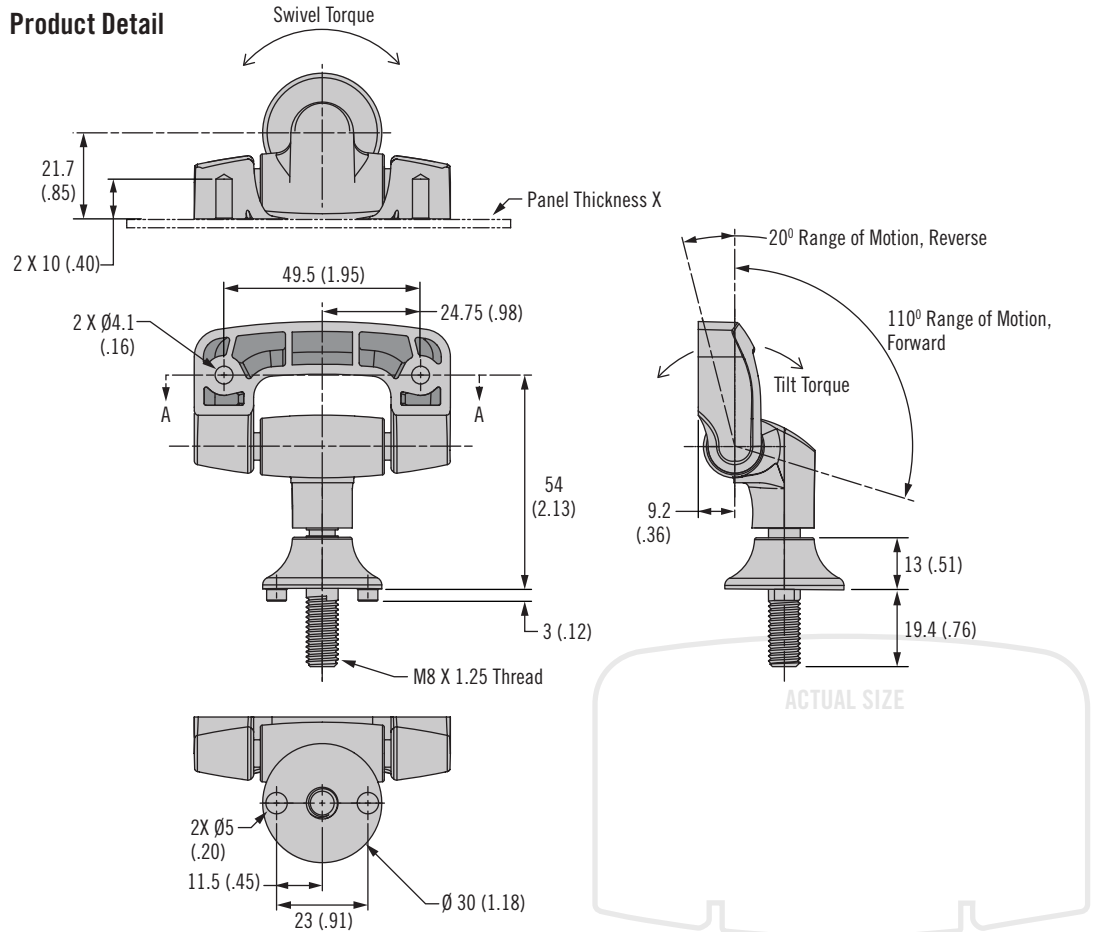
Installation Notes

1. Determine desired mounting location
2. Attach using M8 nut (not supplied) as shown

Caution: Because of the wide variety of panel materials, it is the installer's responsibility to ensure that the materials and structure to which the product is mounted and the hardware selected will provide adequate support.

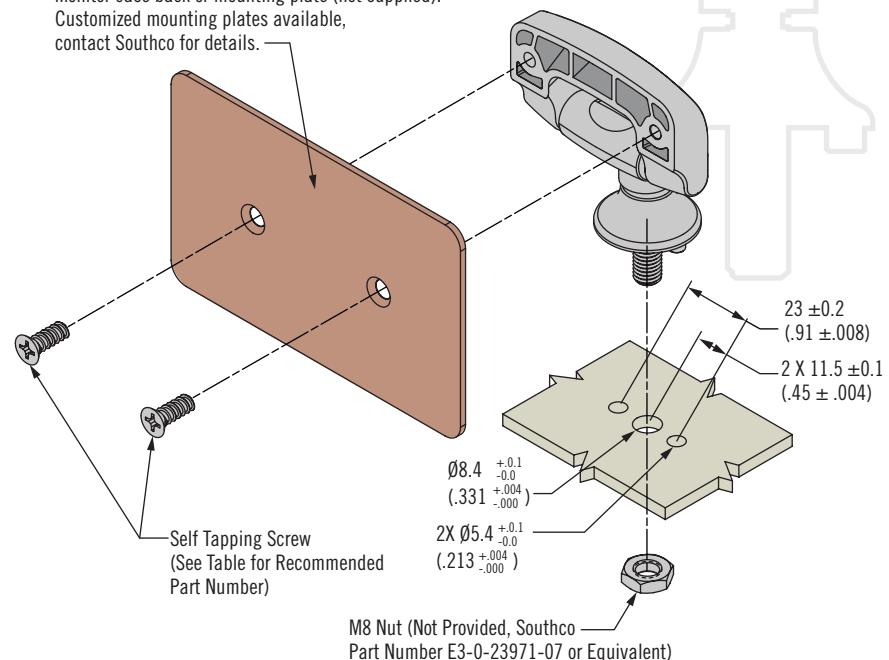
3. Attach monitor mounting bracket using recommended self-tapping screws or equivalent

Product Detail



Installation

Monitor case back or mounting plate (not supplied).
Customized mounting plates available,
contact Southco for details.



AV Series Dynamic Mount

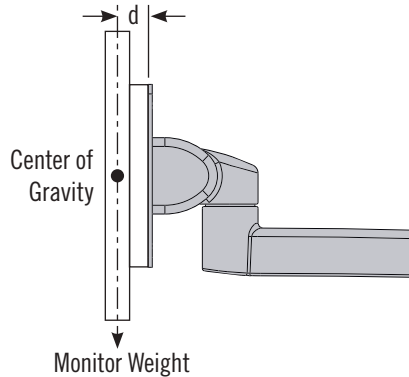
Tilt and swivel · Compact



Specification and Selection

Step 1

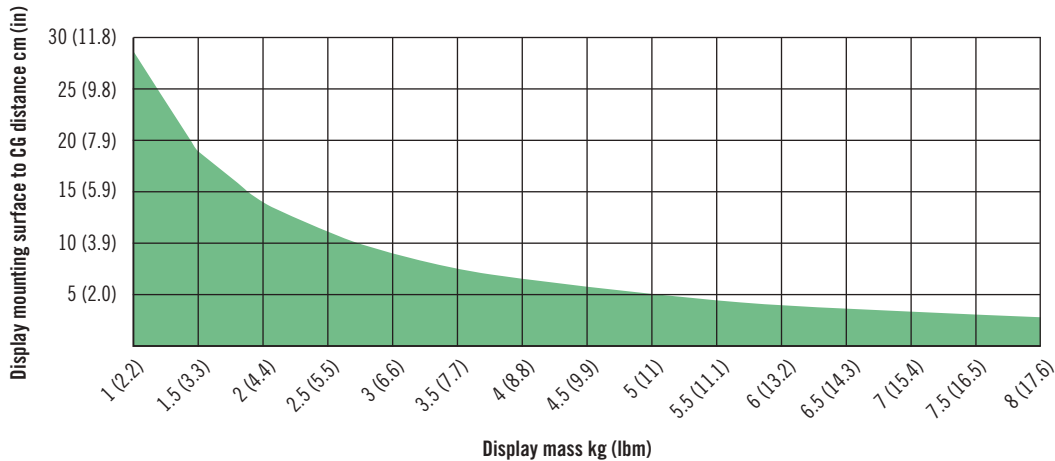
Determine monitor weight and distance (d) from mounting surface to center of gravity.



Step 2

Use chart below to confirm suitable monitor weight. For weights outside the shaded area, consider *SOUTHCO*® AV-D30 series Monitor Mounts.

AV-C20 Series - Capacity vs. CG Distance



Step 3

Select part number and recommended monitor mounting hardware below:

Recommended monitor mounting hardware:

Part Numbers	Tilt Torque N·m (in·lbf)	Swivel Torque N·m (in·lbf)
AV-C20-K101-20	2.8 (25.0)	2.1 (19.0)

Panel Thickness, X (mm)	Pan-Head Screw (Southco P/N)	Flat-Head Screw (Southco P/N)
1-4	96-79-1	96-79-11
4-7	96-79-2	96-79-12

- Smooth operation enhances the user experience
- Adjust the monitor without knobs or tools
- Holds securely in every position

Material and Finish

Glass-filled nylon, black;
Stainless steel

Performance Details

Cycle performance: 20,000 cycles

Max dynamic working load: 100 N
(22.5 lbf)

Average ultimate load: 1000 N
(225 lbf)



AV Series Dynamic Mount

Tilt and swivel

- **Intuitive grab and move operation enhances the user experience**

No knobs or tools required to reposition the monitor

Precise control of operating effort ensures ideal “feel” and eliminates “drift”

Holds securely, even in applications with dynamic loading

- **Consistent repeatable operation**

- **Factory assembled and ready for use**

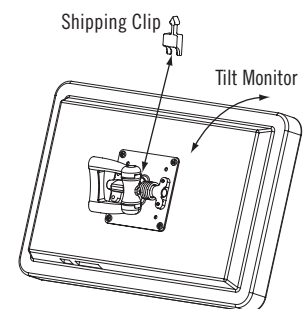
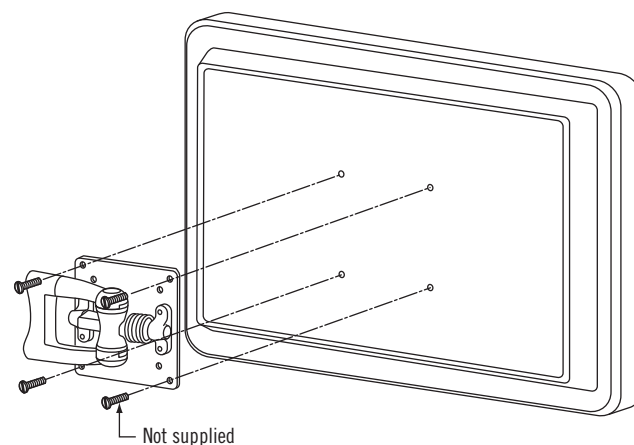
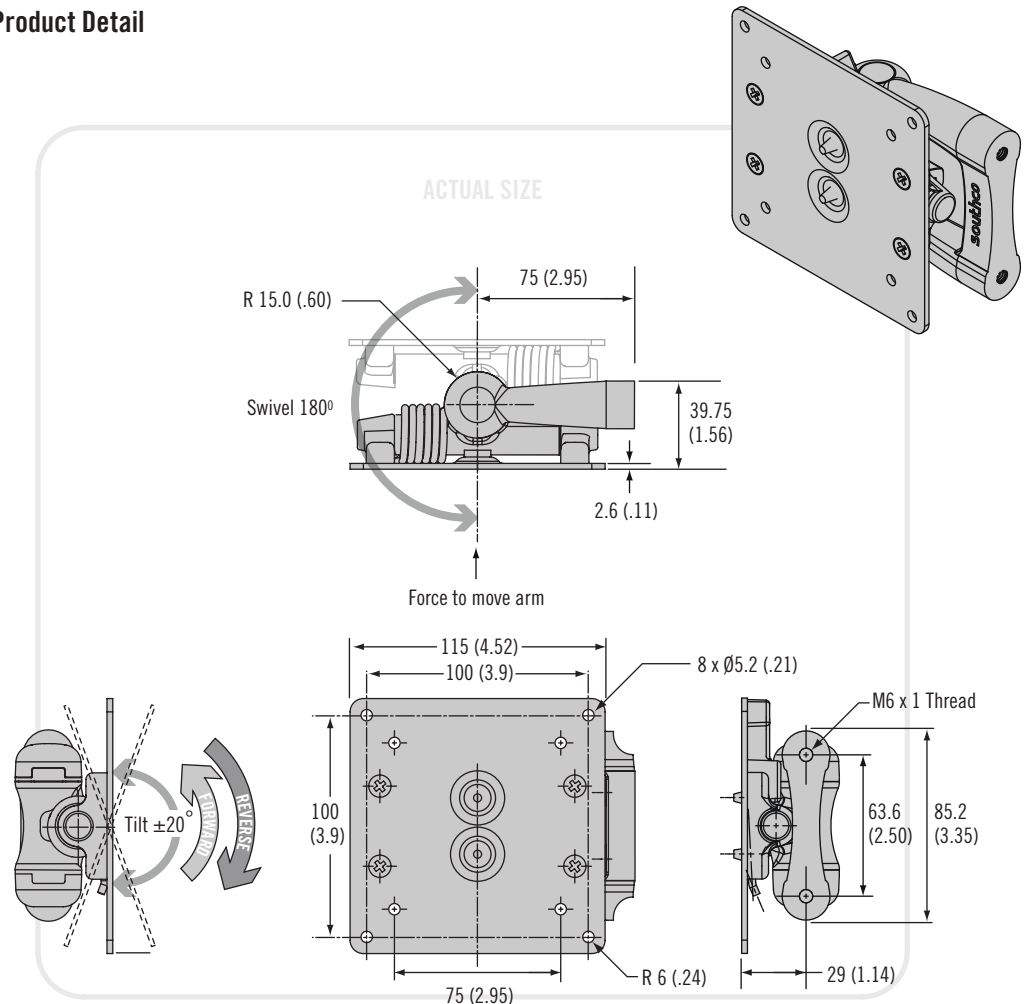
Installation

1. Determine desired mounting location
2. Attach using M6 X 1 screws as shown

Caution: Because of the wide variety of available wall materials, it is the installer’s responsibility to ensure that the materials and structure to which the arm is mounted, and the hardware selected will provide adequate support.

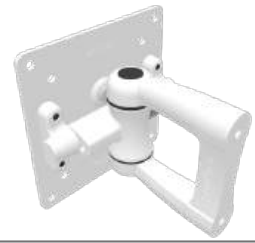
3. Attach monitor using manufacturer’s recommended hardware
4. Remove and recycle the shipping clip

Product Detail



AV Series Dynamic Mount

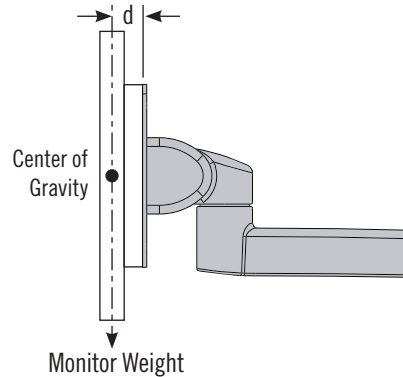
Tilt and swivel



Specification and Selection

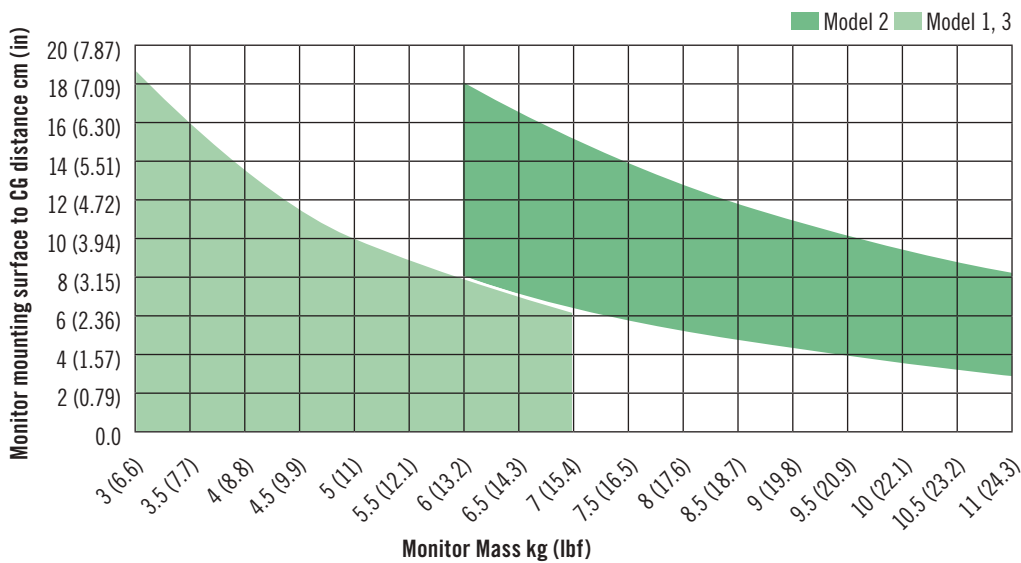
Step 1

Determine monitor weight and distance (d) from mounting surface to center of gravity.



Step 2

Use chart below to select model (1, 2 or 3).



Step 3

Complete part number by selecting model and color options below.

Model	Monitor size	Tilt Torque N-m (in-lbf)		Swivel Torque
		Reverse	Forward	
1	Small monitor, easiest positioning	7.9 (70)	1.13 (10)	2.3 (20)
3	Small monitor, extra holding force	8.6 (76)	6 (53)	3.4 (30)
2	Medium monitor	15.4 (136)	2.26 (20)	3.4 (30)

AV - D30 - 7K10 **S** - **F**

F	Color
50	Black
76	White

For complete installation and operation instructions please consult the product manual included in every package or available to download from www.southco.com/AV

- Smooth operation enhances the user experience
- Adjust the monitor without knobs or tools
- Holds securely in every position

Material and Finish

Aluminum alloy, powder coated

Performance Details

Cycle performance: 20,000 cycles within $\pm 20\%$ of static torque specification

Maximum dynamic working load:

Model 1 and 3: 66 N (15 lbf)

Model 2: 98 N (22 lbf)

Average ultimate load: 178 N (450 lbf)

Part Number

See table

Part Number Example

AV-D30-7K101-50 = Dynamic mounting arm, Model 1, black



AV Series Dynamic Mounting Arm

Tilt and swivel · Single arm · Double arm

- **Intuitive grab and move operation enhances the user experience**

No knobs or tools required to reposition the monitor

Precise control of operating effort ensures ideal “feel” and eliminates “drift”

Holds securely, even in applications with dynamic loading

- **Consistent repeatable operation**

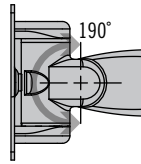
- **Fully enclosed for optimum cleanability**

- **Snap-on wire management cover**

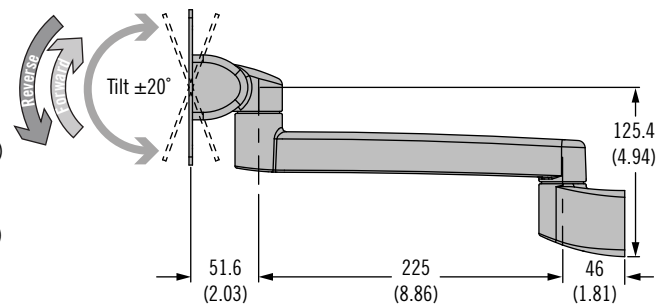
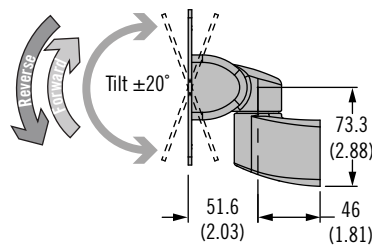
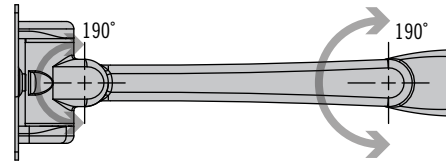
- **Factory assembled and ready for use**

For mounting options and installation detail please refer to pages 84–85

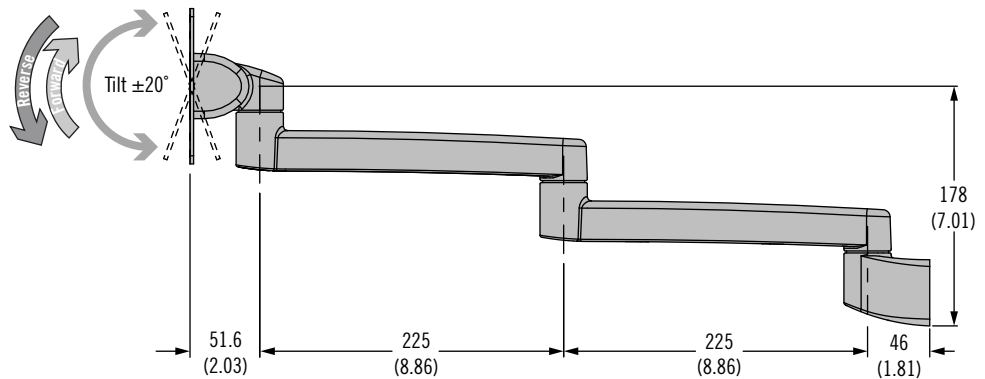
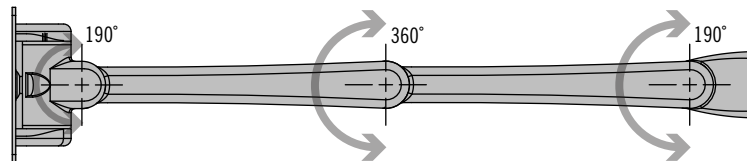
Tilt and Swivel



Single Arm



Double Arm



AV Series Dynamic Mounting Arm

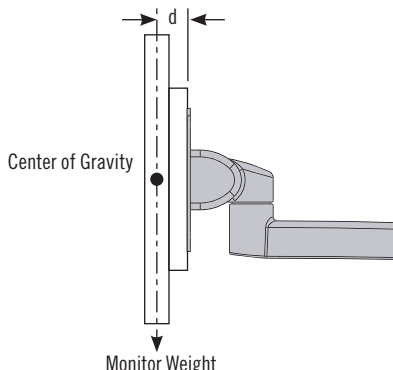
Tilt and swivel · Single arm · Double arm



Specification and Selection

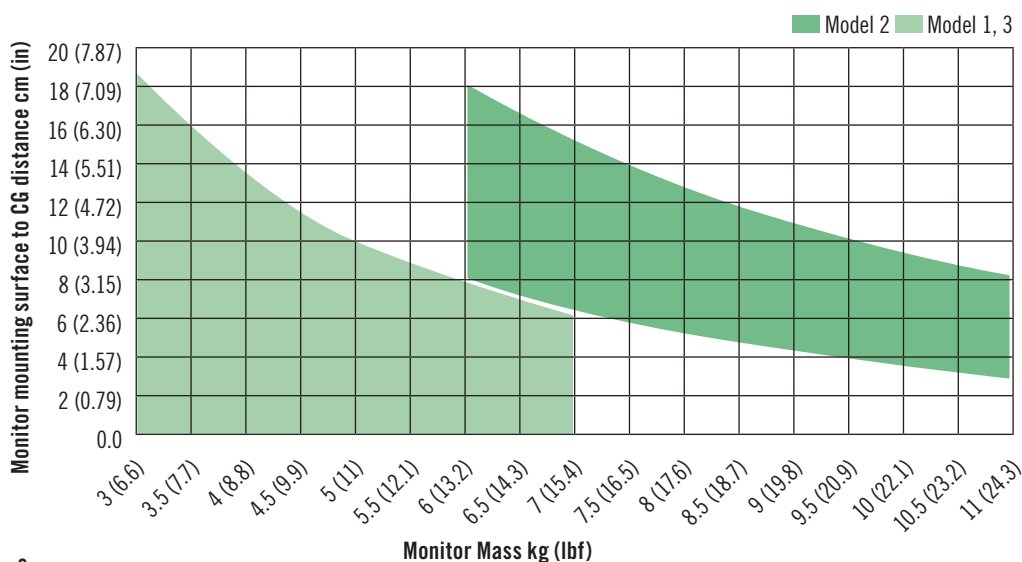
Step 1

Determine monitor weight and distance (d) from mounting surface to center of gravity.



Step 2

Use chart below to select model (1, 2 or 3).



Step 3

Complete part number by selecting length and color options below.

L	Length & Function
10K	Tilt / swivel
23A	225mm Single arm
46D	450mm Double arm

K	Mounting style
0	Wall mount, Rear, no wire notch
1	Wall mount, Rear, with wire notch
2	Table mount, no wire notch
3	Table mount, with wire notch
4	Wall mount, Front
6	Pole mount (35-38mm Pole)
7	Rail mount

Style	Model S	Tilt Torque N·m (in·lbf)		Swivel Torque N·m (in·lbf)		
		Reverse	Forward	At Monitor Mount	At Wall Mount	Center Joint
Tilt and swivel	1	7.9 (70)	1.13 (10)	4.3 (38)	N/A	N/A
	2	15.4 (136)	2.26 (20)	4.3 (38)	N/A	N/A
	3	8.6 (76)	6.0 (53)	4.3 (38)	N/A	N/A
Single arm	1	7.9 (70)	1.13 (10)	4.3 (38)	9.8 (87)	N/A
	2	15.4 (136)	2.26 (20)	4.3 (38)	9.8 (87)	N/A
	3	8.6 (76)	6.0 (53)	4.3 (38)	9.8 (87)	N/A
Double arm	1	7.9 (70)	1.13 (10)	4.3 (38)	9.8 (87)	9.8 (87)
	2	15.4 (136)	2.26 (20)	4.3 (38)	9.8 (87)	9.8 (87)
	3	8.6 (76)	6.0 (53)	4.3 (38)	9.8 (87)	9.8 (87)

AV - D32 - L 1 K S - F

S	Monitor Size
1	Small monitor, easiest positioning
3	Small monitor, extra holding force
2	Medium monitor

F	Finish
50	Black
76	White

Material and Finish

Aluminum alloy, powder coated

Performance Details

Cycle performance: 20,000 cycles. See trade drawing for details.

Note: Double Arm not recommended for monitors over 5.4 kg (12 lb)

Max. dynamic working load:

Model 1, 3: 70N (15.7lbf)

Model 2: 100N (22.5lbf)

Average ultimate load:

Tilt/Swivel: 1845N (415lbf)

Single Arm: 1600N (360lbf)

Double Arm: 755N (170lbf)

For mounting options and installation detail please refer to pages 84-85



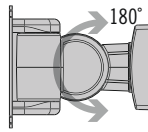
AV Series Dynamic Mounting Arm

Tilt and swivel · Single arm · Double arm · Heavy Duty

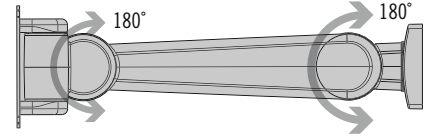
- **Intuitive grab and move operation enhances the user experience**
No knobs or tools required to reposition the monitor
Precise control of operating effort ensures ideal “feel” and eliminates “drift”
Holds securely, even in applications with dynamic loading
- **Consistent repeatable operation**
- **Fully enclosed for optimum cleanability**
- **Snap-on wire management cover**
- **Factory assembled and ready for use**

For mounting options and installation detail please refer to pages 84-85

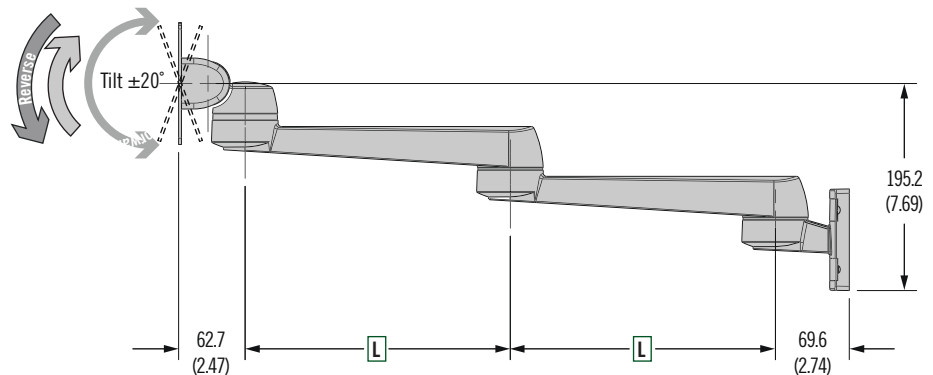
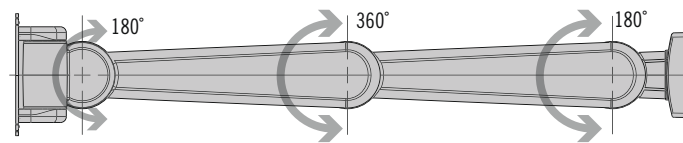
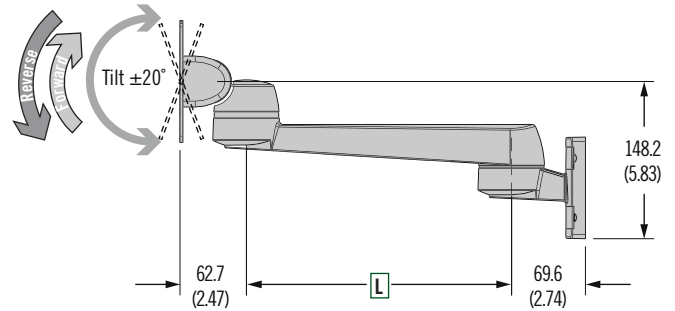
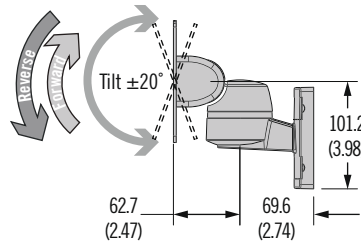
Tilt and Swivel



Single Arm



Double Arm



AV Series Dynamic Mounting Arm

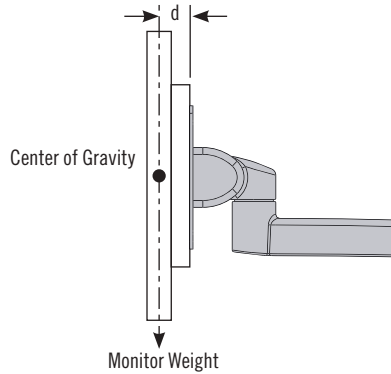
Tilt and swivel · Single arm · Double arm · Heavy Duty



Specification and Selection

Step 1

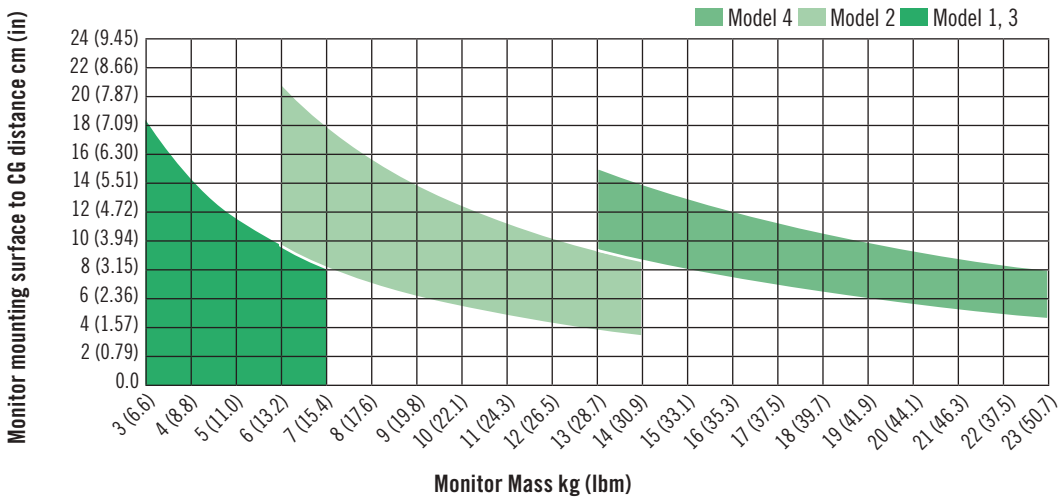
Determine monitor weight and distance (d) from mounting surface to center of gravity.



Step 2

Use chart below to select model (1, 2, 3 or 4).

Note: Double Arm not recommended for monitors over 18 kg (39 lb)



Step 3

Complete part number by selecting length and color options below.

L	Length & Function
13K	Tilt / swivel
25A	250mm Single arm
33A	325mm Single arm
50D	500mm Double arm
65D	650mm Double arm

K	Mounting style
4	Wall mount, Front
6	Pole mount (35-38mm Pole)
7	Rail mount

Style	Model	Tilt Torque N-m (in-lbf)		Swivel Torque N-m (in-lbf)		
		Reverse	Forward	At Monitor Mount	At Wall Mount	Center Joint
Tilt and swivel	1	7.9 (70)	1.3 (10)	3 (27)	N/A	N/A
	2	15.4 (136)	2.26 (20)	3 (27)	N/A	N/A
	3	8.6 (76)	6.0 (53)	3 (27)	N/A	N/A
	4	23.1 (204)	7 (62)	3 (27)	N/A	N/A
Single arm	1	7.9 (70)	1.3 (10)	3 (27)	6 (53)	N/A
	2	15.4 (136)	2.26 (20)	3 (27)	6 (53)	N/A
	3	8.6 (76)	6.0 (53)	3 (27)	6 (53)	N/A
	4	23.1 (204)	7 (62)	3 (27)	6 (53)	N/A
Double arm	1	7.9 (70)	1.3 (10)	3 (27)	6 (53)	3 (27)
	2	15.4 (136)	2.26 (20)	3 (27)	6 (53)	3 (27)
	3	8.6 (76)	6.0 (53)	3 (27)	6 (53)	3 (27)
	4	23.1 (204)	7 (62)	3 (27)	6 (53)	3 (27)

AV - D40 - L 1 K S - F

S	Monitor size
1	Small monitor, easiest positioning
3	Small monitor, extra holding force
2	Medium monitor
4	Large monitor

F	Finish
50	Black
76	White

Material and Finish

Aluminum alloy, powder coated

Performance Details

Cycle performance: 20,000 cycles.
See trade drawing for details.

Note: Double Arm not recommended for monitors over 18 kg (39 lb)

Max. dynamic working load:

Model 1, 3: 70 N (15.7 lbf)

Model 2: 100 N (22.5 lbf)

Model 4: 225 N (50.5 lbf)

Average ultimate load:

Tilt/Swivel: 2300 N (517 lbf)

Single Arm: 1600 N (360 lbf)

Double Arm: 1050 N (236 lbf)

Part Number Example

AV-D40-25A142-50 = Single arm, 250mm, Model 2, black



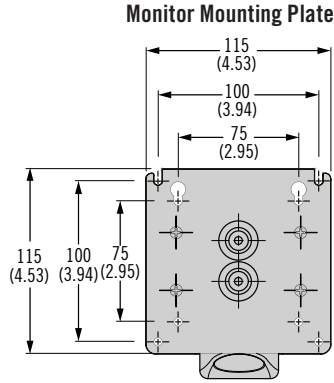
AV Series Dynamic Mounting Arm

Tilt and swivel · Single arm · Double arm · Mounting details

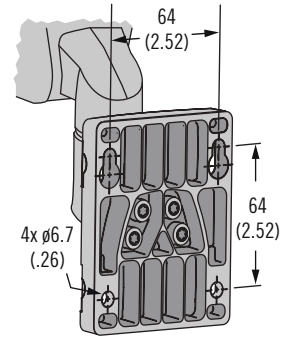
• Mounting details



Mounting Options



Wall mount front fastened K=4



Wall Mount, Rear Fastened K=0

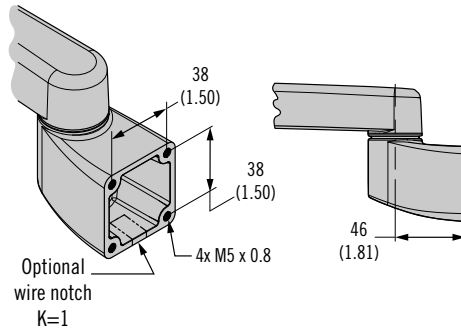
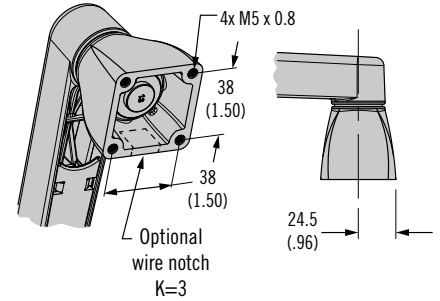
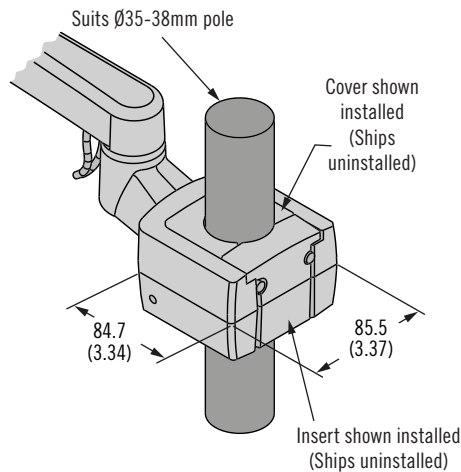


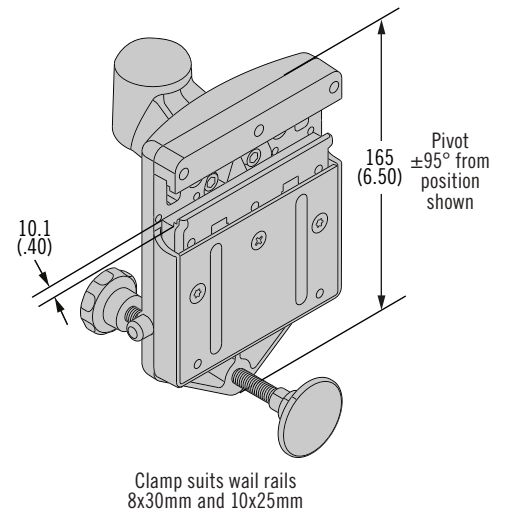
Table Mount K=2



Pole Mount K=6



Rail Mount K=7

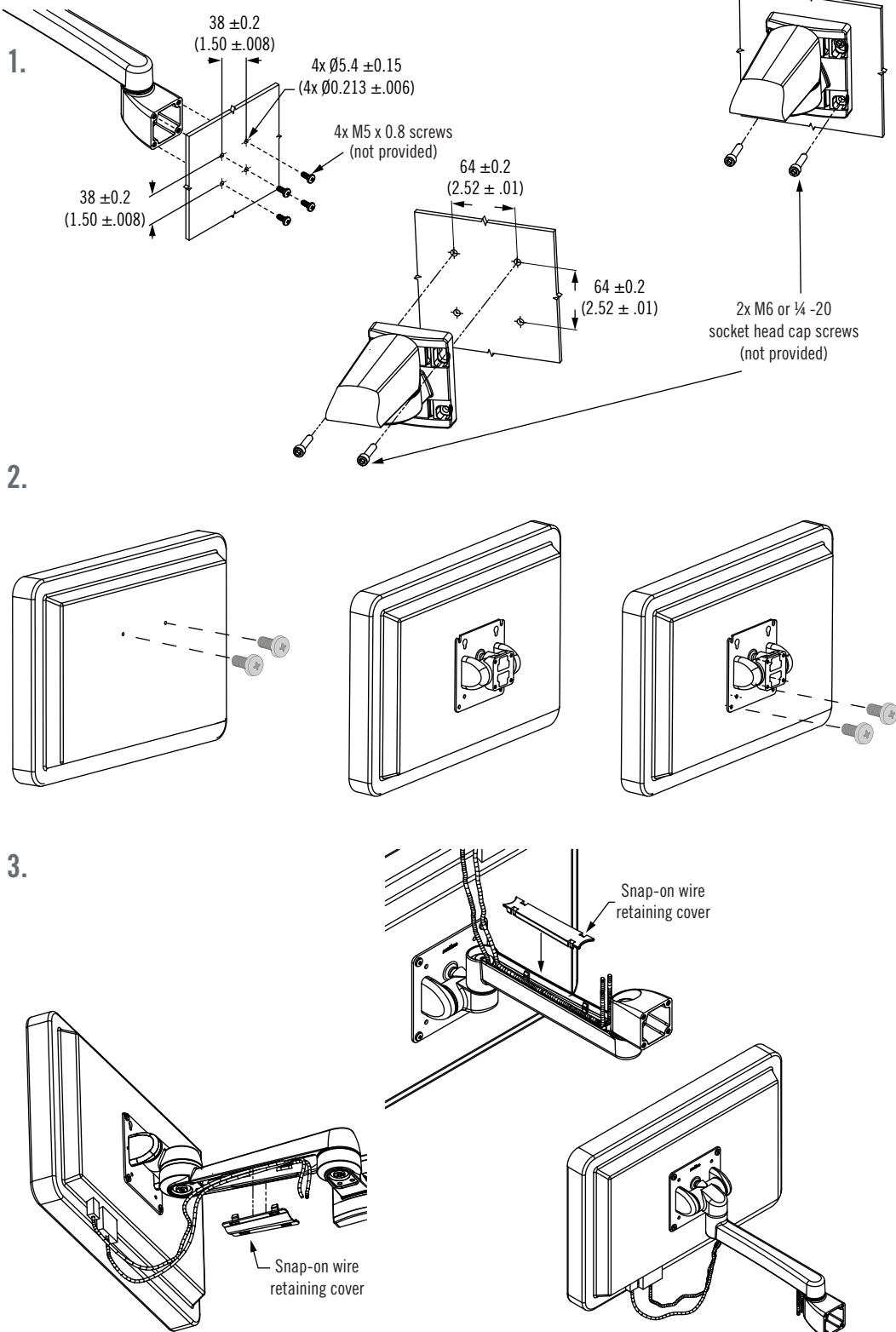


AV Series Dynamic Mounting Arm

Tilt and swivel · Single arm · Double arm · Installation details



Installation



• Mounting details

